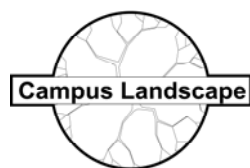
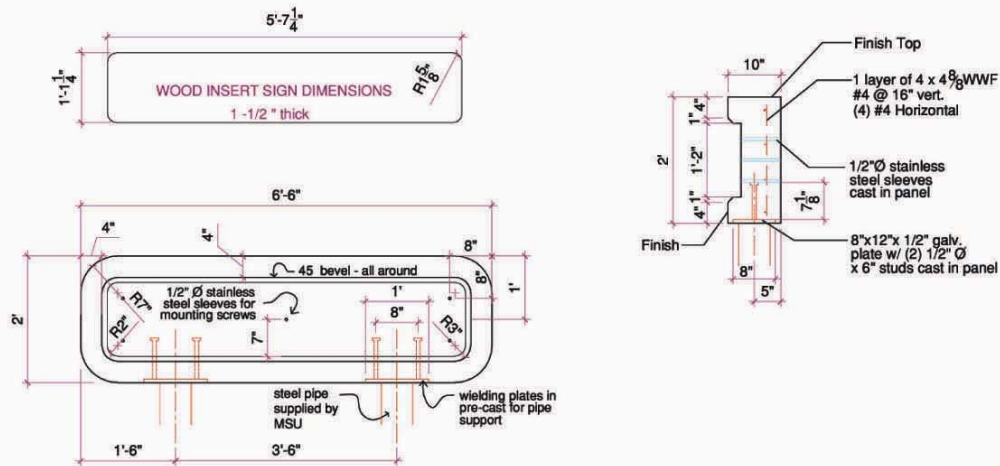


Campus Building Sign:



Building Signage Standards Type 1

(Small Single Face)



ELEVATION AND SECTION OF:
TYPE 1 PRE-CAST CONCRETE SIGNAGE
AND WOODEN INSERT

SCALE: 1" = 2'- 0"

MISSISSIPPI STATE UNIVERSITY
JANUARY 30, 2003
CAD FILE NAME: TYPE 1 SIGN

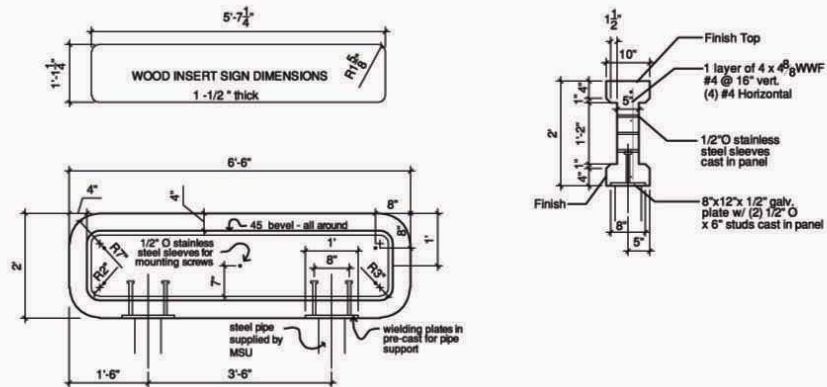
Color

White: Panoramic 101 Bulletin
Brown: Sherwin Williams Shagbark
Solid Color Acrylic Latex Stain



Building Signage Standards Type 2

(Small Double Face)



ELEVATION AND SECTION OF:
TYPE 2 PRE-CAST CONCRETE SIGNAGE
AND WOODEN INSERT

SCALE: 1" = 2'-0"

MISSISSIPPI STATE UNIVERSITY
JANUARY 30, 2003
CAD FILE NAME: TYPE 1 SIGN

Color

White: Panoramic 101 Bulletin

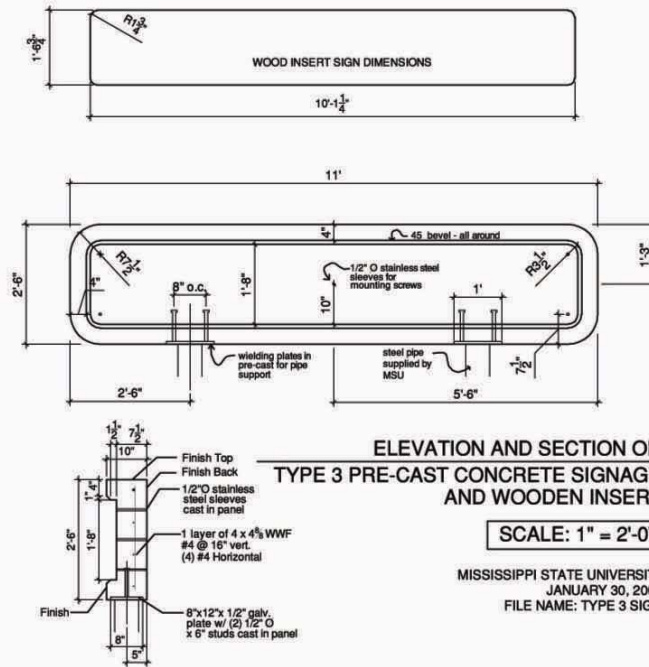
Brown: Sherwin Williams Shagbark

Solid Color Acrylic Latex Stain



Building Signage Standards Type 3

(Large Simple Face)



Color

White: Panoramic 101 Bulletin

Brown: Sherwin Williams Shagbark

Solid Color Acrylic Latex Stain



